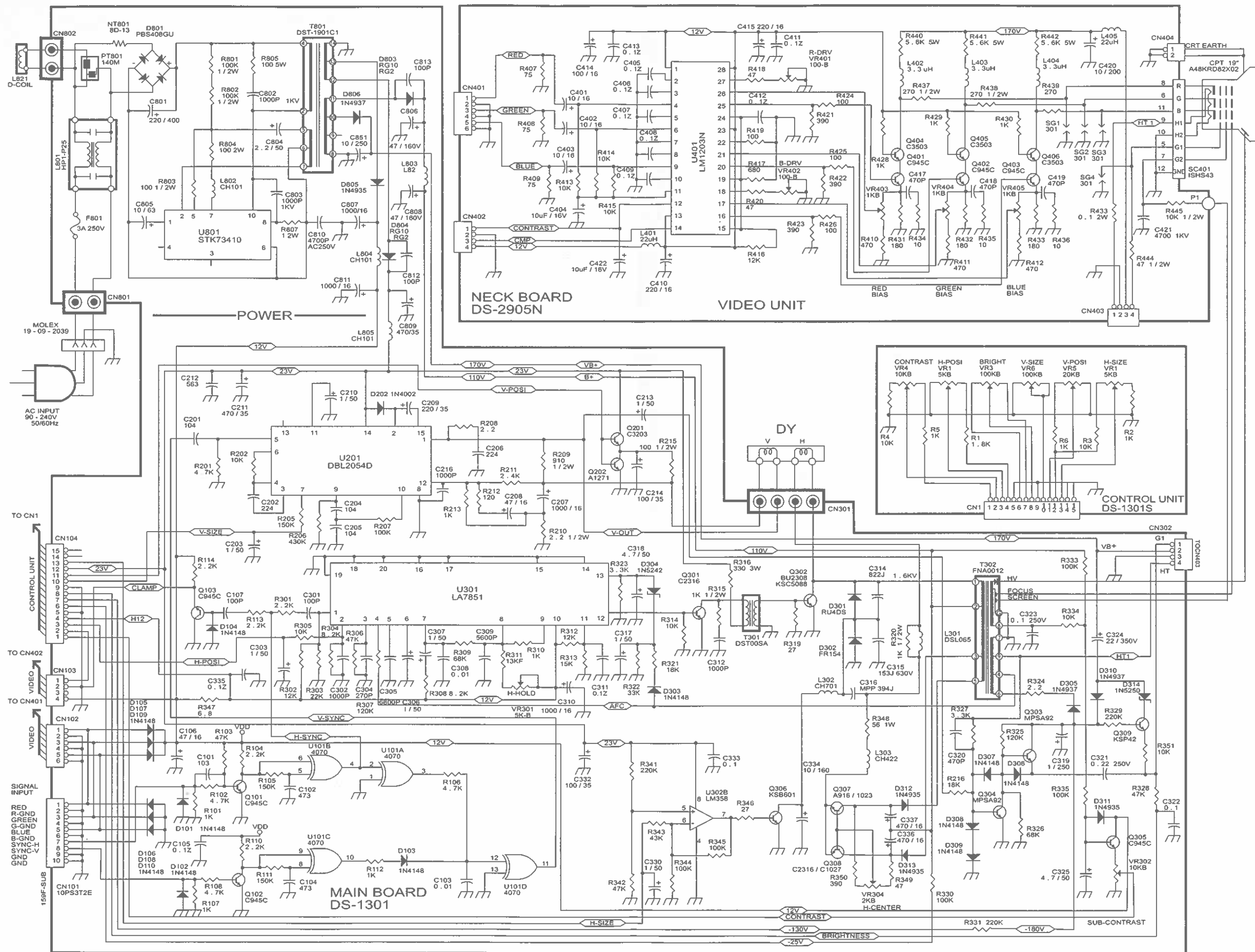


19 INCH CGA COLOR MONITOR Schematic Diagram



**NOTES**  
 1. ALL RESISTORS ARE IN OHMS, 1/6W, 5% LESS OTHERWISE INDICATED.  
 2. CAPACITANCE VALUES LESS THAN ARE MICROFARADS. ABOVE IN PICOFARADS LESS OTHERWISE INDICATED.

FOR SERVICE CALL 626 - 793 - 4468